

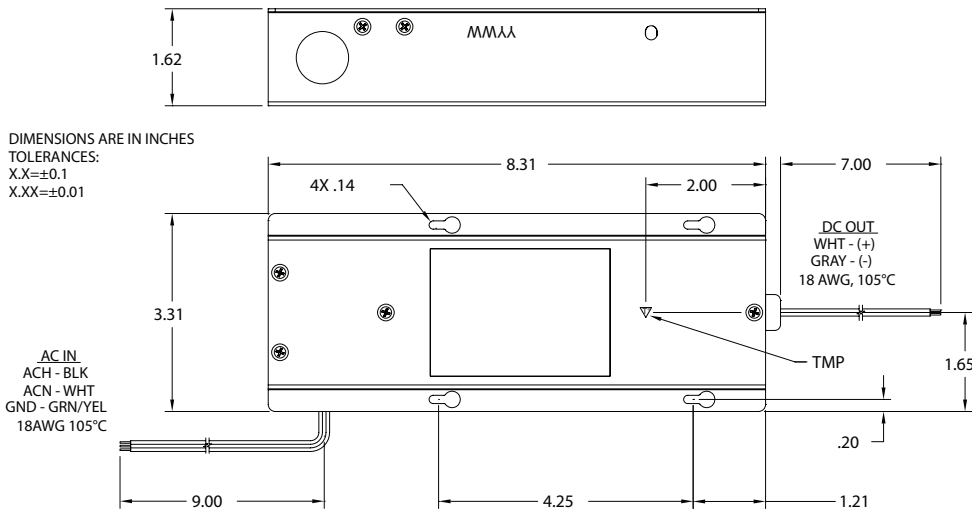


Technical Specifications

Input Voltage	90-265VAC
Input Current	0.95 A @ 120VAC / 0.5 A @ 240VAC
Input Frequency	47-60Hz
Typical Efficiency	82%
Output Voltage	12VDC
Output Current	5.0 A max.
Output Power Per Channel ^[1]	60 Watts max.
Operating Temperature (at 90% Relative Humidity)	-40 °C to +50 °C
System Certifications:	
UL Recognized File	E213411
UL Classified File (retrofit applications)	E246705
CSA Master Contract Number	249468
TMP	< 70 °C
RoHS Compliant	Yes
Product Warranty	5 Year Limited (see Permlight for Signs website for details)

^[1] Exceeding the maximum output would cause the LED driver to shut down. LED driver has a short circuit/overload protection feature that will reduce the output voltage upon exceeding the maximum output.

Mechanical Dimensions



PermlightforSigns.com 422 West 6th Street, Tustin, CA 92780 T: 714-508-0729 F: 714-508-0920