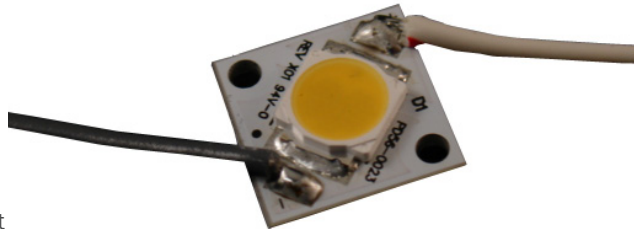




Features & Benefits

- Intense and powerful point source for critical applications
- Less than 1 square inch for small luminaires such as landscape or pendants
- Uniform chromaticity across beam angles
- Constant current for high efficacy
- Protective transparent coating
- Patented intelligent thermal design uses metal core board (MCPCB)
- Includes mounting holes for mechanical attachment and pre-wired leads
- Easily configured into existing and new luminaires
- Available in a variety of color temperatures
- Can be used to meet the requirements of CA Title 24, ENERGY STAR® and other green initiatives



Required Brillia LED Drivers

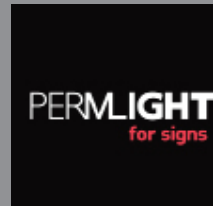
Consult Permlight to match Driver with installation configuration PS12-275C-DIM

Ratings and Performance Specifications

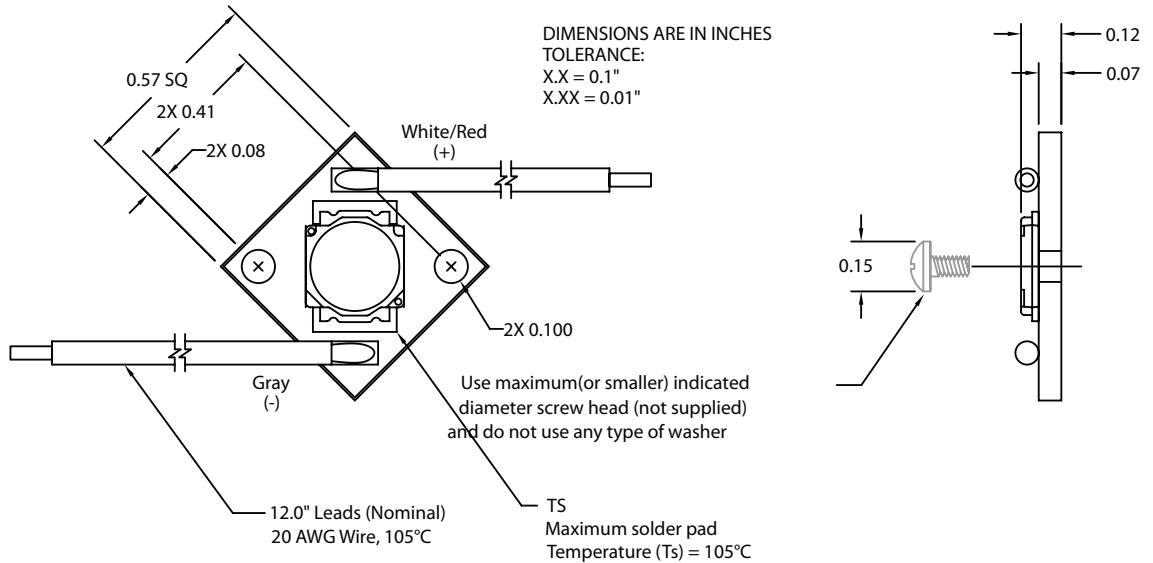
Nominal DC Power Consumption	10W to 14 W
Maximum Input Current Recommendation	350 mA
Maximum Solder Pad Temperature (Ts)	+105 °C
Maximum Screw Installation Torque.....	50 inch-ounces
Estimated Lumen Depreciation (LM80 standard)	70% of initial lumens (L ₇₀) at 40,000 hours
Maximum Weight	25 grams
Safety/Compliance	
UL Class 2 Recognized Component.....	TBD

Application Notes

1. The proper LED Solder Pad Temperature (Ts) is critical to ensure long life. Careful design consideration required for factors such as ambient conditions (for example weather and surrounding atmosphere inside exterior luminaires) and proximity to other heat sources such as other LED modules and heat generating LED drivers. For more information see http://brillialed.com/thermal_management_guide.php
2. Abnormal operating conditions, such as elevated operating temperatures, can be expected to negatively impact lumen output, product lifetime or product performance.
3. The use of any washer (Lock, Flat, etc) shall void the warranty due to possible damage and/or shorting the circuit board. For more information see http://brillialed.com/thermal_management_guide.php



Physical Dimensions



Part Number	Correlated Color Temperature (Kelvin)	Input Current (Amps)	Light Output (Lumens)	Power (Watts)	Efficacy (Lumens per Watt)	CRI
BB01 DF 27	2700	0.275	560	11	51	85
BB01 DF 30	3000	0.275	585	11	53	85

Options: sales@permlight.com

Other LED color temperatures please email sales@permlight.com

Packaging

Modules are marked with abbreviated SKU and lot traceability information on non-LED side of module. Modules are sold 300 per carton and packaged in ESD bags with SKU and lot traceability information.

Warranty

3-Year limited warranty in accordance with Brillia published warranty. Product must be used with compatible Brillia components (modules, drivers, engines and/or accessories) and no maximum ratings (such as Ts) shall be exceeded during any expected operating conditions of the system.

Permlight Products Inc. holds the following United States patents of which one or more may be applicable to the design and/or manufacture of this product. Additional granted patents, patents pending and other intellectual property protection rights may apply to this product.

United States Patents: 6712486, 6578986, 6846093, 7114831, 7306353, 7102172, 7108396, 7329024, 7387406, 7582911, 7582911, 7649327

www.brillialed.com

©2011 Permlight Products Inc. All rights reserved. Permlight, Brillia, Enbryten and Thermadjust are trademarks of Permlight Products, Inc. All others are trademarks of their respective companies or organizations. The information provided were obtained using data from laboratory results and may be subject to change. Permlight reserves the right to change any information without notice.

t: 714.508.0729 sales@permlight.com
www.permlight.com