

INSTRUCTIONS

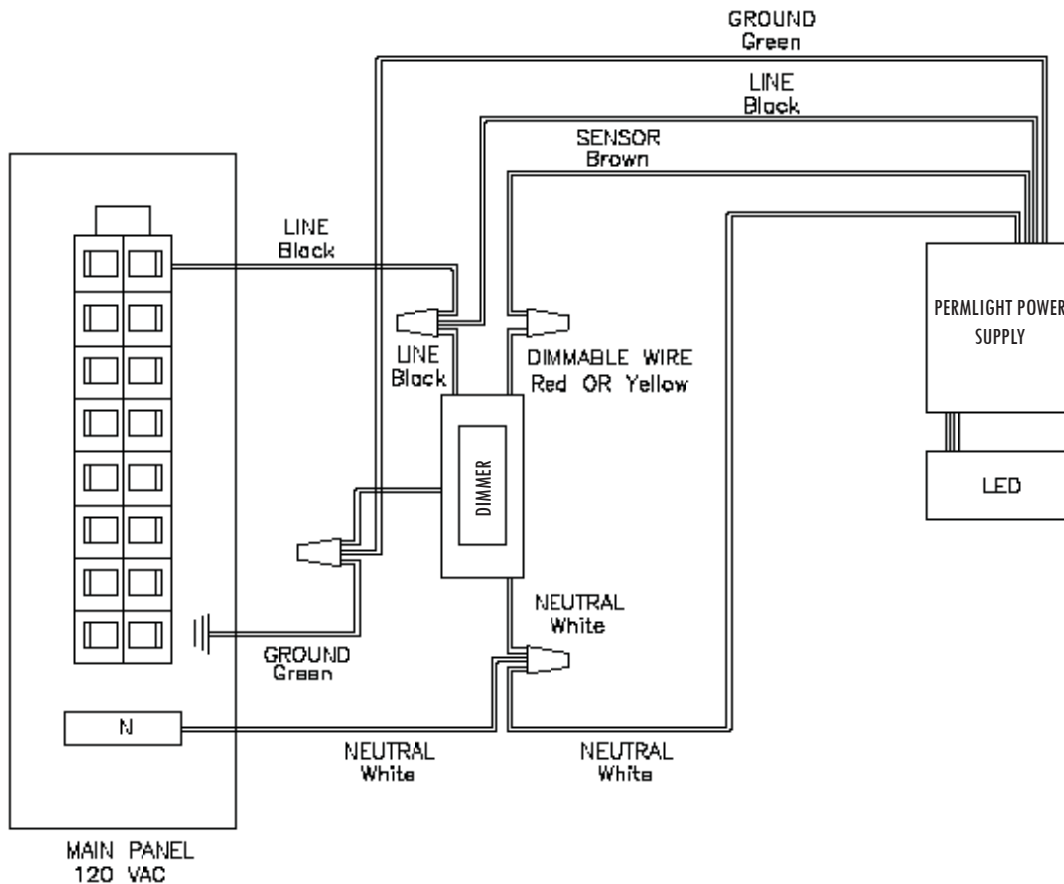
DIMMABLE POWER SUPPLY WIRE CONNECTIONS

250-12DC-DIM, 60-12D-DIM

To assure optimal performance with your Permlight Product, please follow the instructions below.

INSTALLATION SHOULD BE PERFORMED BY A LICENSED ELECTRICIAN

- DO NOT Connect Power Supply While Power Is On
- Use 14-12 AWG THHN Wire
- Use NEC approved wire connectors
- Remove connection box door from power supply
- Strip 3/8" insulation from incoming circuit wire
- Connect the incoming GROUND wire to the GROUND on the DIMMER SWITCH and to the GREEN wire attached to the power supply
- Connect the incoming NEUTRAL wire to the WHITE wire on the DIMMER SWITCH and to the WHITE wire attached to the power supply
- Connect the incoming LINE wire to the BLACK wire on the DIMMER SWITCH and to the BLACK wire attached to the power supply
- Connect the SIGNAL wire from the dimmer to the BROWN wire on the power supply
- Fold wires into a loop and place wires inside and replace connection box door



DIMMABLE POWER SUPPLY WIRING DIAGRAM

Note: Use 120VAC Dimmer Controller

If further assistance is required or you have any questions concerning the above procedure, please call Permlight Customer Service at (714) 508-0729.

PERMLIGHT™

Phone: 714-508-0729

www.permlight.com

brilliant
LED Light Engines®

PERMLIGHT
for signs