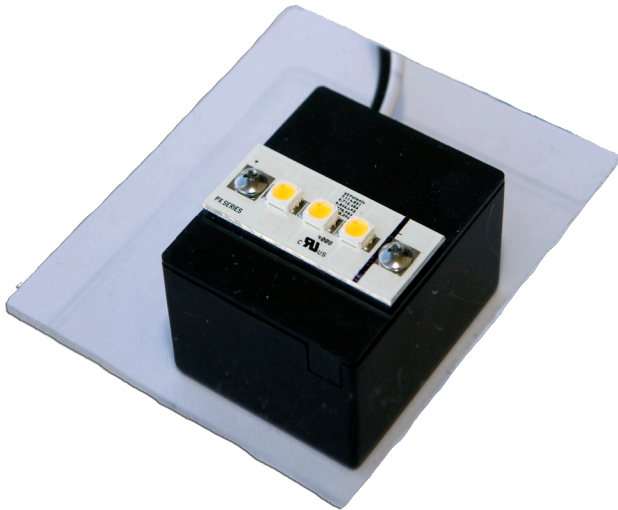


Features & Benefits

- Patented intelligent thermal design uses metal core board
- Patented “sandwich” design uses heatsink and integral mechanical and electrical interfaces to eliminate wiring harness
- Available in different LED colors
- Easily configured into existing and new luminaires
- Can be used for requirements of CA Title 24, ENERGY STAR and other green initiatives



Ratings and Specifications

Power Consumption.....	4.5W nominal
Input Voltage	90-240VAC
Operating Frequency.....	50/60Hz
Estimated Life for White LED @ Tj ≤ +90 °C.....	40,000 hours, 70% lumen maintenance
Maximum Operating Ambient Temperature (Ta)	+50 °C
*Recommended Maximum Operating Junction Temperature (Tj)	+90 °C
Weight (driver and module only)	58 grams
AI1250 Series Driver UL File and Listing.....	E256806, cURus, UL recognized component, dry location
PX Series Module UL File and Listing	E213411, cURus, UL recognized component, wet location

Engineering Notes

The LED module makes electrical and mechanical connection with the LED driver by 4-40 x 3/8” truss head screws and isolation bushings shipped with each light engine. Brillia recommends the use of an aluminum or equivalent heatsink “sandwiched” between the LED module and driver with a nominal thickness of 0.080”. For thicker heatsinks, longer screws can be used, however caution must be used not to bottom-out and damage the internal PC board of the driver. Luminaires manufactured with this LED light engine have passed UL thermal testing. Please consult the factory for design recommendations.

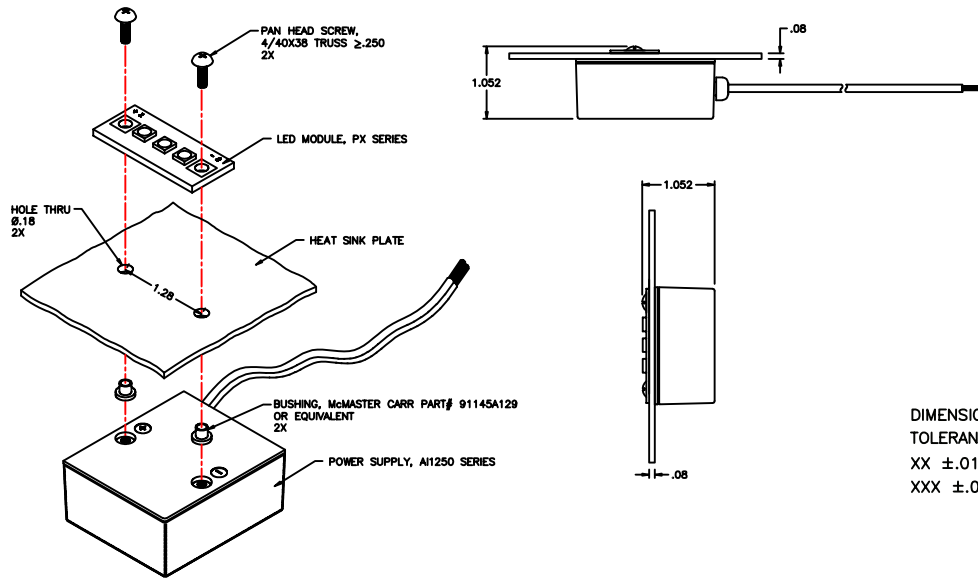
*The proper LED Junction Temperature (Tj) is critical to ensure long life, therefore careful design consideration is required for factors such as ambient conditions (weather and surrounding atmosphere in fixture) and proximity to other heat sources such as other LED drivers, modules or light engines.



A division of Permlight



Physical Dimensions



DIMENSIONS ARE IN INCHES
 TOLERANCES:
 XX ±.01 ANGLE ± 30'
 XXX ±.005

Part Number	Nominal Values CCT Color Temp. (Kelvin)	Sample Values Light Output (Lumens)	Sample Values Efficacy (Lumens per Watt)	Sample Values CRI*	Nominal Beam Angle (Degrees)	Input Voltage Non-Dimmable (VAC)
BEP03AA240MNB28-001	2850	166	37	68	120	90-240
BEP03AA240MNB35-001	3500	194	43	72	120	90-240
BEP03AA240MNB51-001	5100	240	60	78	120	90-240

* Higher CRI available by special order

Options: sales@brillialed.com

Other LED colors, high CRI or LED manufacturersplease email sales@brillialed.com

Warranty

3 Year Limited warranty from date of manufacture for a maximum operating case temperature of the LED driver and maximum operating Tj of the LED module at 90 °Csee www.brillialed.com for additional conditions

Additional Information