

INSTRUCTIONS

DIMMABLE POWER SUPPLY WIRE CONNECTIONS

3-WIRE DIMMER TO A 2 WIRE FIXTURE

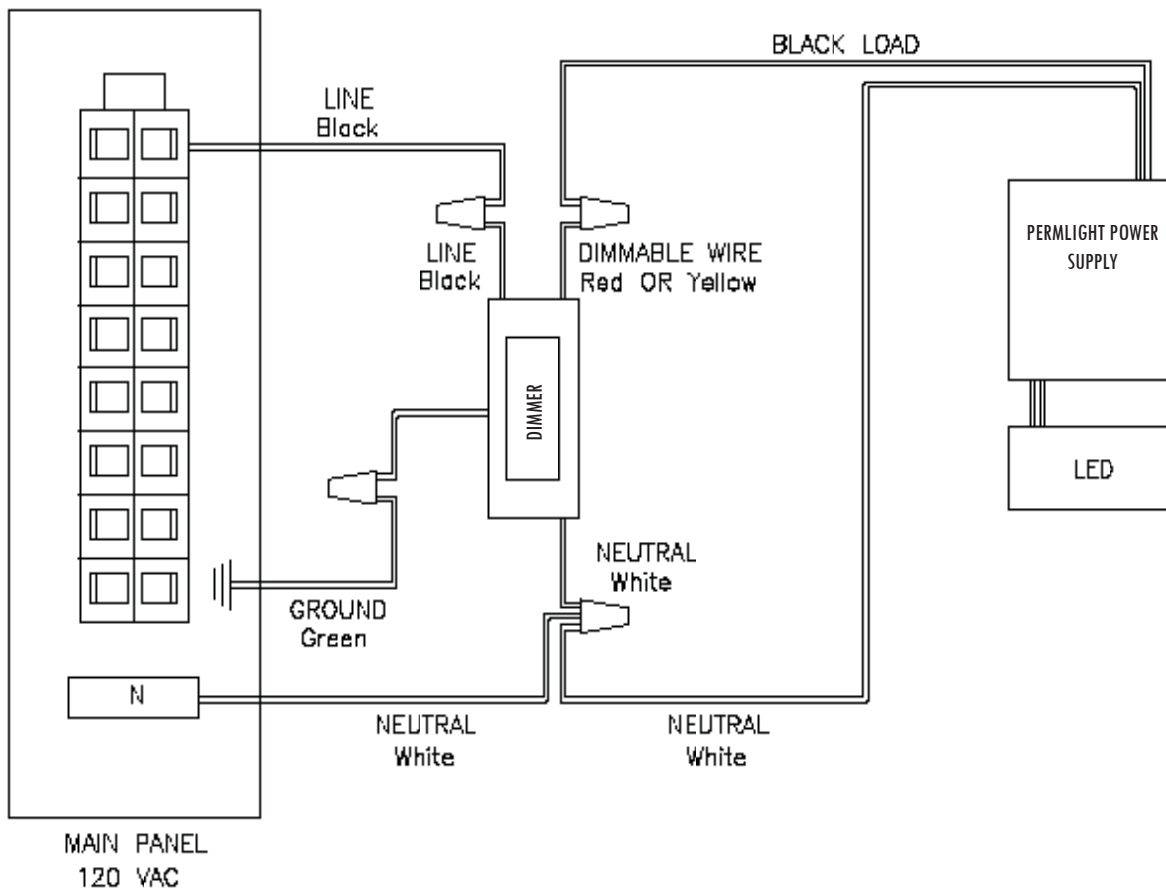
AI1220-DIM-0, AI1250-DIM-1, AI1260-DIM-1, BL25-DIM, BL26-DIM

To assure optimal performance with your Permlight Product, please follow the instructions below.

INSTALLATION SHOULD BE PERFORMED BY A LICENSED ELECTRICIAN

To connect a 3 wire dimmer to a 2 wire dimmable power supply follow the steps below:

- DO NOT connect dimmer while power is on
- Use 14-12 AWG THHN wire
- Use NEC approved wire connectors
- Connect the Incoming AC NEUTRAL wire, with the NEUTRAL wire on the dimmer, and the NEUTRAL white wire on the dimmable power supply
- Connect the Incoming AC GROUND GREEN wire, to the GROUND wire on the dimmer
- Connect the Incoming AC Line BLACK (Hot) wire to the BLACK wire on the dimmer
- Connect the YELLOW (or RED if you are using Smarthome) wire to the BLACK wire of the dimmable power supply



DIMMABLE POWER SUPPLY WIRING DIAGRAM

Note: Use 120VAC Dimmer Controller

If further assistance is required or you have any questions concerning the above procedure, please call Permlight Customer Service at (714) 508-0729.

PERMLIGHT™

Phone: 714-508-0729

www.permlight.com



PERMLIGHT
for signs